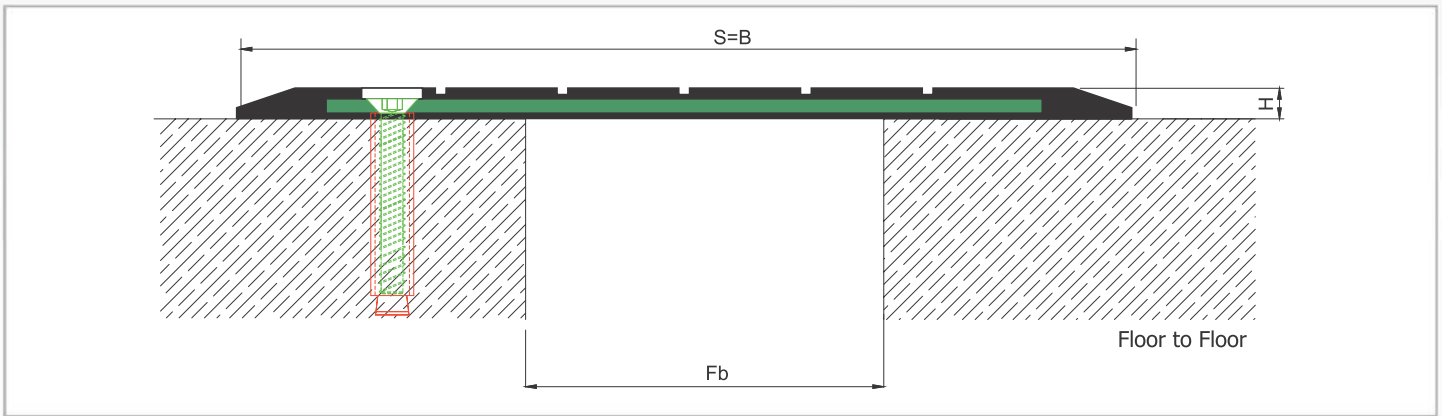
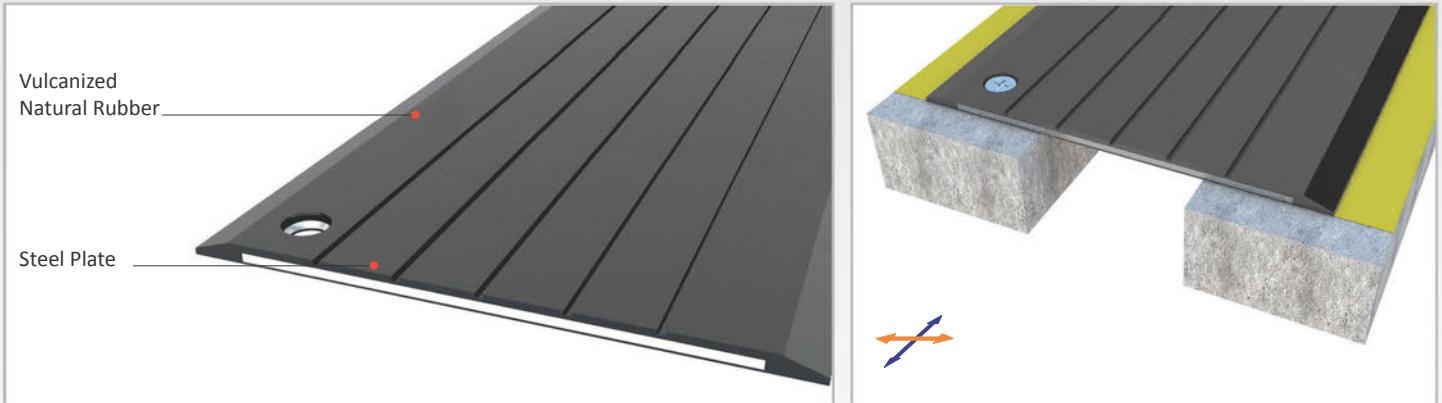




AS U271 floor profile is designed for heavy vehicular traffic areas and can meet displacements in 2 directions. Steel plate is embedded in molded natural rubber with vulcanization process. Wall thickness of steel plates vary from 3 to 14 mm depending on the profile height and other characteristics inquired. Rubber cover reduces the sound caused by vehicles and also protects the profile against deformation. AS U271 ensures a smooth and non-skid transmission across the gaps and helps to minimize the risk of tripping hazards. Profile can easily be installed by means of steel anchors.

- Application Areas** : Indoor & Outdoor / Floor  
**Ideal for** : Factories, Warehouses, Car Parks, Airports, Shopping Malls, Stadiums, Public Buildings etc.  
**Material** : ST 37 Steel Plate, Natural Rubber ( NR)  
**Optional Supplies** : Fire Barrier, Waterproof EPDM membrane



\* Visuals are representative and the profile configuration may differ depending on the characteristics requested.

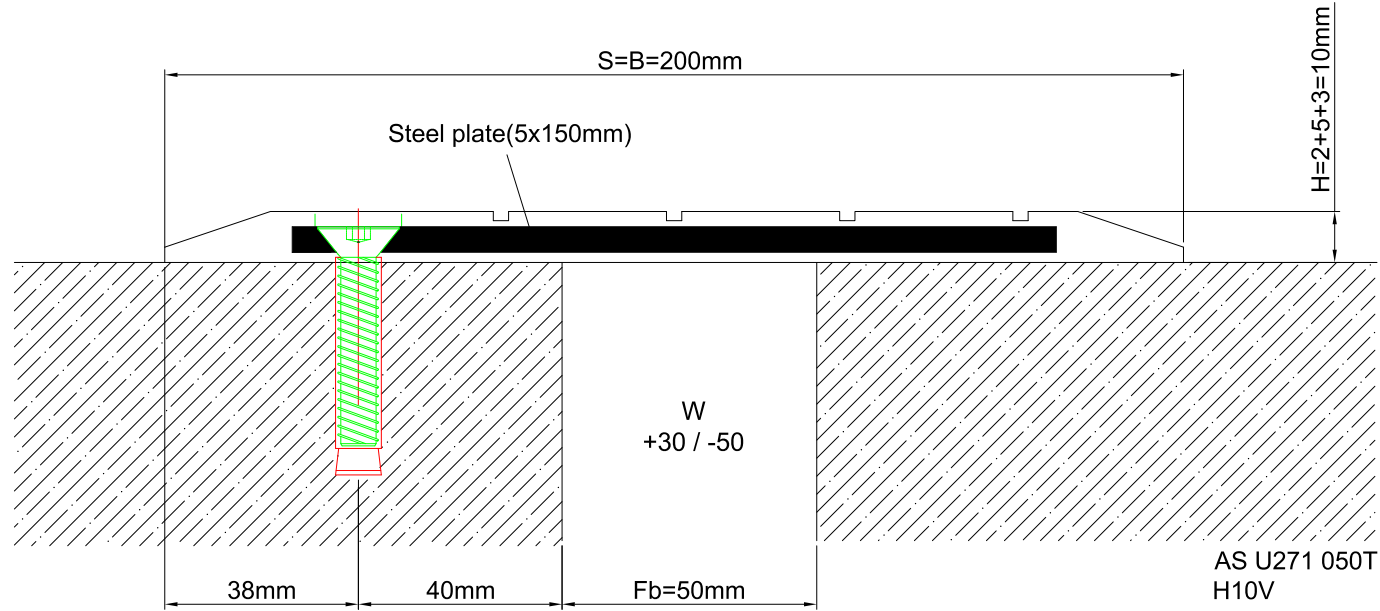
**INDUSTRIAL & PARKING AREAS**


RUBBER COLOR **BLACK**

LOCATION	MODEL	GAP (Fb) mm	HEIGHT (H) MM	OVERALL WIDTH (B) mm	VISIBLE WIDTH (S) mm	MOVEMENT (W) mm	LOAD CAPACITY	STANDARD LENGTH (mt)
Floor to Floor	AS U271-050T	50	9/10	200	200	+30/-50	30 kN→600 kN	2
	AS U271-100T	100	9/10	250	250	+30/-100	30 kN→600 kN	2
	AS U271-150T	150	9/10/14/15	300	300	+30/-150	30 kN→300 kN	2
	AS U271-200T	200	20/21	350	350	+25/-200	30 kN→120 kN	2
	AS U271-250T	250	25/26	400	400	+25/-250	30 kN→120 kN	2

Note: Please ask for different sizes





Profil No Profile Number	AS U271 050T
Fb (mm)	50
H (mm) yaklaşık approx.	2+5+3=10
W± (mm) yaklaşık approx.	+30 / -50
Renk Color	ST 37 Çelik: Natürel, Kauçuk: Siyah ST 37 Steel: Natural, Rubber: Black
Malzeme Material	ST 37 Çelik, NR Kauçuk ST 37 Steel, NR Rubber
Standart Uzunluk (m) Standard Length (m)	2
Yükleme Kapasitesi Load - Bearing Capacity	600kN  130kN 